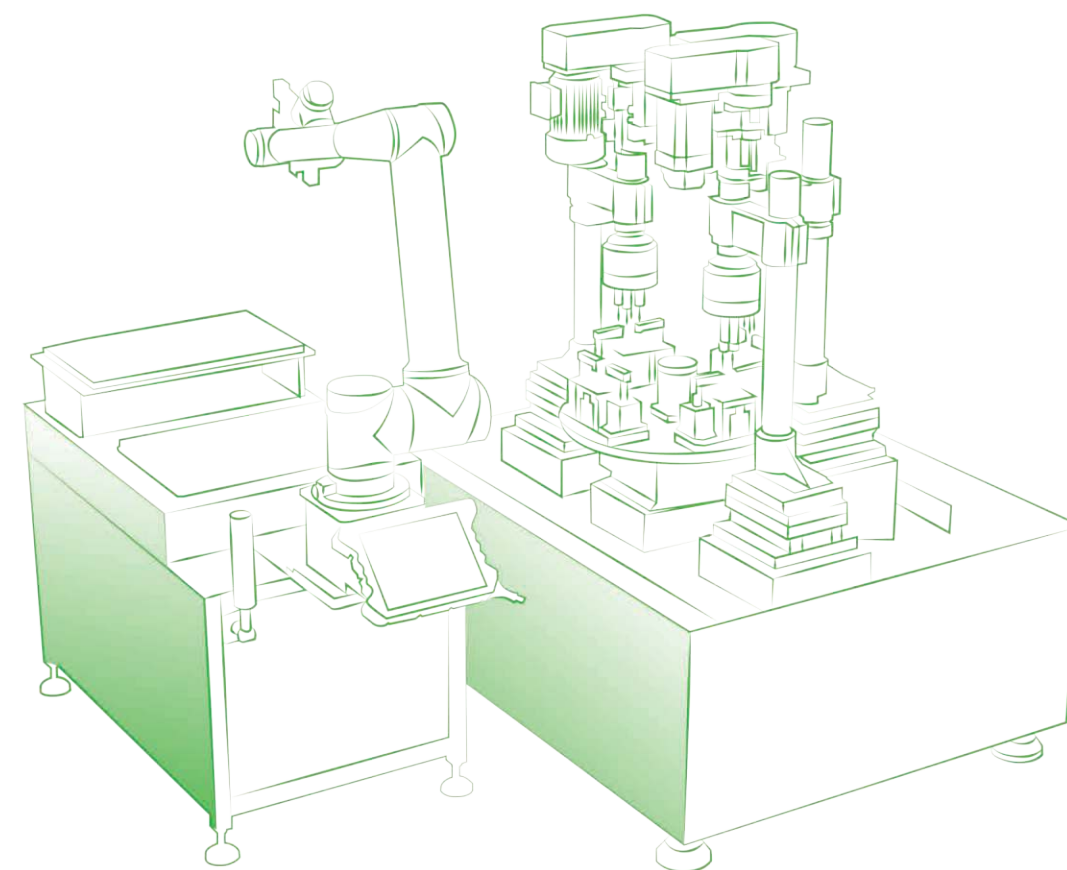




更多信息请关注!

# PROFESSIONAL MANUFACTURER OF NON-STANDARD EQUIPMENT

非标设备专业制造商



**浙江·台州尚品机械有限公司**

TAIZHOU SHANGPIN MECHANICS CO.,LTD.

📍 地址: 浙江省台州市路桥区金清镇工业区

📍 Add:Jinqing Town Industrial Area,Luqiao District,Taizhou City, Zhejiang

☎ 电话/Tel:0086-576-82871718

☎ 传真/Fax:0086-576-82871713

🌐 [Http://www.spjx88888.com](http://www.spjx88888.com)

✉ E-mail:hongtudaye@126.com

为不断改良产品, 本公司保留对技术数据更改而勿需事先通知的权利。  
The manufacturer will change the specifications without ontice in order to improve the product constantly

**SAGP 台州尚品**



Product In Ingenuity,  
Excellence In Intelligent Control,  
And Intelligent  
Creation Of The Future

品于匠心，卓于智控，智创未来

## ABOUT SHANGPIN

### 关于尚品

台州尚品机械有限公司是一家专业生产各类钻、攻、铣、镗等高效能自动化专用机床等的国家级高新技术企业，集研究、开发、生产、销售为一体；公司拥有按专业化格局组建的现代化零件加工、整机装配车间，工艺手段、装备实力在国内同行业处于较高水平。公司设有技术中心和售后服务中心，能根据客户提供的样品开发、设计、制造出高效、优质、稳定的加工设备，同时提供培训、调试、售后等一条龙优质服务，使机床的真正价值在使用中充分体现，从而大幅提升您企业的竞争优势。作为一家以技术为核心竞争力的企业，公司技术中心由一批具有专用机床生产经验丰富的精英队伍组成，确保为客户提供优质的技术保障。通过十多年专业的研究、开发，现我公司生产的设备已在多个领域赢得了良好的口碑，主导产品有：风电式钻削动力头、油压钻削动力头、精密镗铣动力头、伺服精密攻丝机、导牙杆精密攻丝机、固定式多轴器、可调式多轴器、数控钻攻中心、深孔钻专机、多工位钻、攻、铣、镗组合专用机床等。

我公司一直以来都秉承着“尚德载物，品行天下”的经营理念 and “优质服务，说到做到”的服务理念，做精做细，全力以赴服务好每一位客户，并不断的设计开发出更多更好的非标自动化加工设备，争取更多的优秀用户选择我们，紧密合作，共谋发展！

Taizhou Shangpin Machinery Co., Ltd. is a national high-tech enterprise specializing in the production of various types of drilling, tapping, milling, boring and other high-performance automatic special machine tools, integrating research, development, production and sales. The company has modern parts processing and complete machine assembly workshops set up according to the professional pattern, and its technological means and equipment strength are at a high level in the same industry in China. The company has a technical center and an after-sales service center, which can develop, design and manufacture efficient, high-quality and stable processing equipment according to the samples provided by customers, and provide high-quality services such as training, debugging and after-sales service, so that the real value of the machine tool can be fully realized in use, thus greatly improving your enterprise's competitive advantage. As an enterprise with technology as its core competitiveness, the company's technology center is composed of a group of elite teams with rich experience in the production of special machine tools to ensure high-quality technical support for customers. Through more than ten years of professional research and development, the equipment produced by our company has won a good reputation in many fields. The leading products are: wind power drilling power head, hydraulic drilling power head, precision boring and milling power head, servo precision tapping machine, guide rod precision tapping machine, fixed multi axis machine, adjustable multi axis machine, numerical control drilling and tapping center, deep hole drilling machine, multi station drilling, tapping, milling, boring combined special machine tools, etc.

Our company has always been adhering to the business philosophy of "advocating virtue and carrying things, and conducting the world" and the service philosophy of "high-quality service, and doing what you say". We have done our best to serve every customer, and constantly designed and developed more and better non-standard automatic processing equipment, and won more excellent users to choose us, cooperate closely, and seek common development!

## HONOR

### 荣誉资质





# INNOVATION

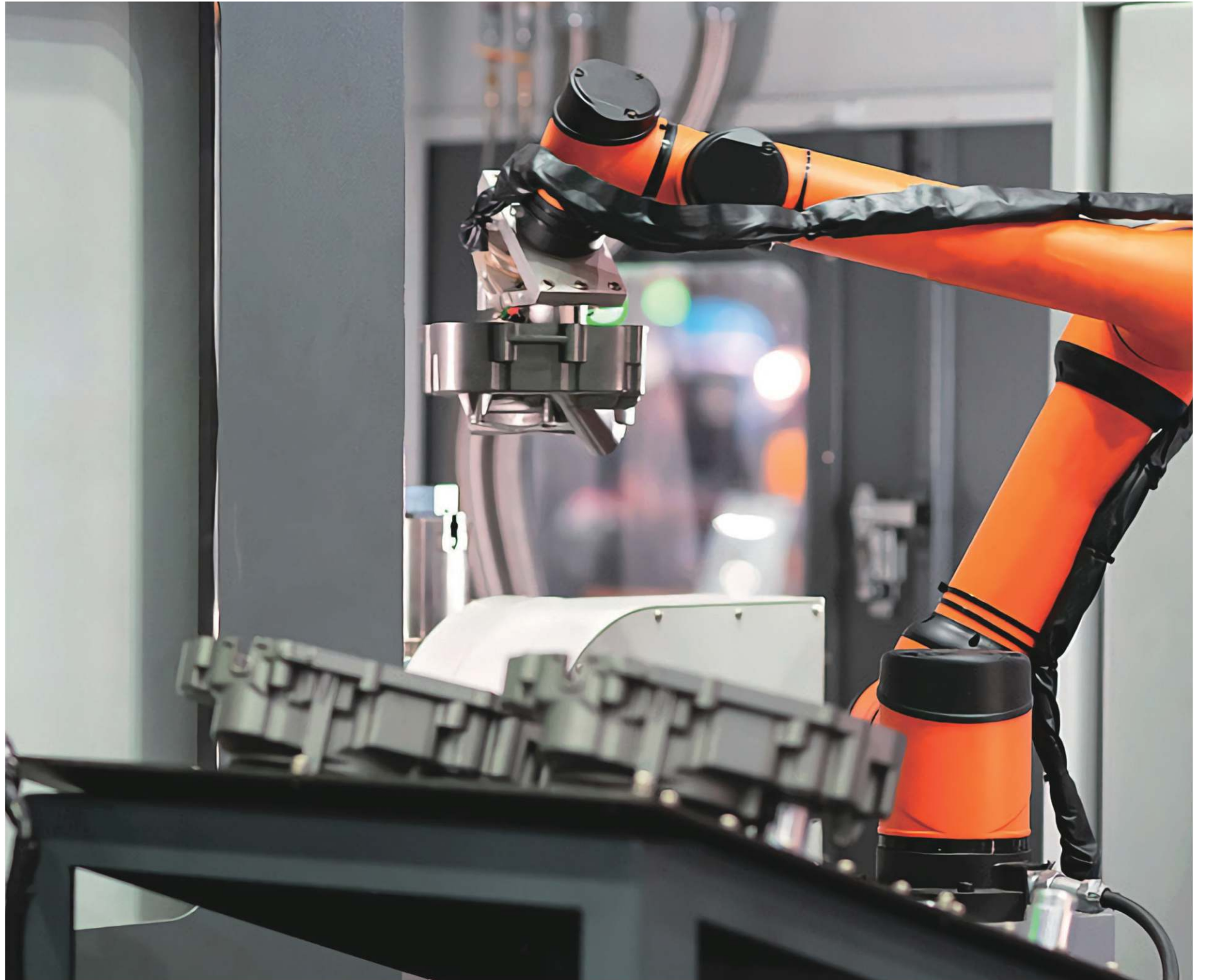
## 技术开发



### 由多位精英工程师 组成研发团队

重点技术、应用研究的强化、新的方法、新的构造等基本的技术开发，建立新产品的研发体制，用长远的眼光来审视新技术的研发。不断追寻变化万千的客户的需求，提高品质，提供可获得客户依赖与满意的产品。为了达到这个目的，我们向研发、设计、生产到服务全部工序都可以覆盖的品质体系构筑目标迈进。

Basic technology development such as key technologies, strengthening of applied research, new methods, and new structures, establishing a new product research and development system, and reviewing new technology research and development from a long-term perspective. Constantly pursue the ever-changing needs of customers, improve quality, and provide products that can be relied on and satisfied by customers. In order to achieve this goal, we are striving towards the goal of building a quality system that can cover all processes from research and development, design, production to service.

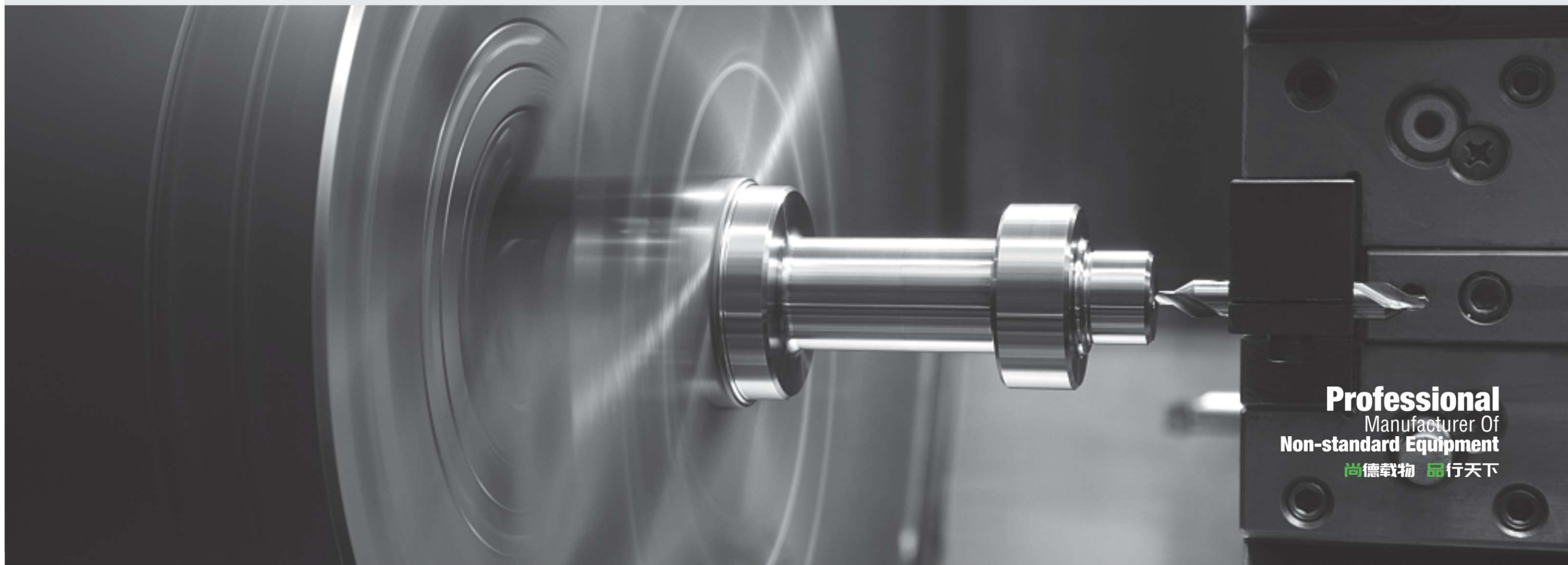
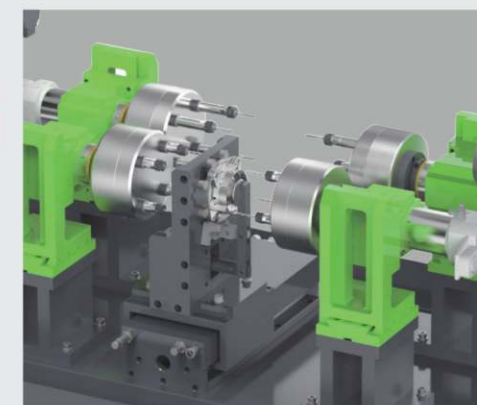
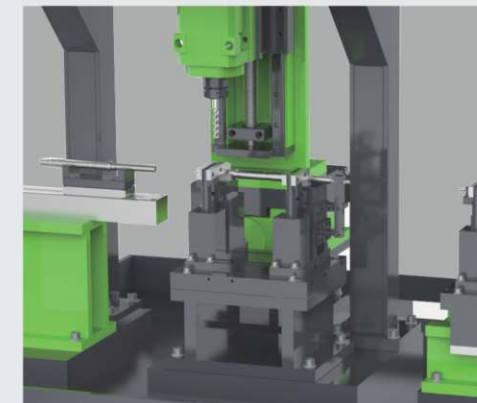
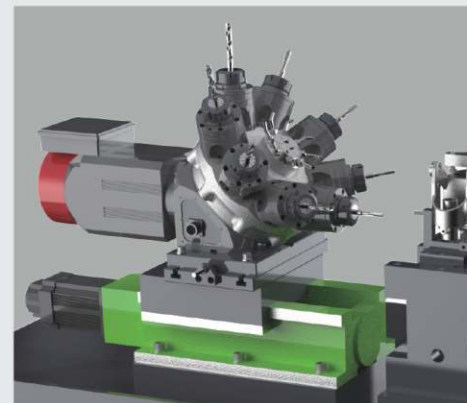


# PRODUCTION OF WISDOM

## 尚品"智"造

纵横天下，四海一家  
有限空间，无限合作  
尚品依托开拓与积累  
口碑、实力的拓展与增进  
有赖于合作伙伴的支持和厚爱  
殊途同归  
对于口碑的珍爱和品质的苛求  
期待我们的智造能够为您带来更多的价值  
和无限美好的生活

The world is not enough, all people belong to one family.  
Limited space, unlimited cooperation  
Based on the development and accumulation of Luxuries  
And promote the development of word of mouth, the strength of the  
There is resistance to the partners for their support and love  
Reach the same goal by different means roads lead to the same go  
The reputation of the treasure and quality demands al  
We look forward to the wisdom of making can bring more value for you  
And unlimited wonderful life



**Professional**  
Manufacturer Of  
**Non-standard Equipment**  
尚德载物 品行天下

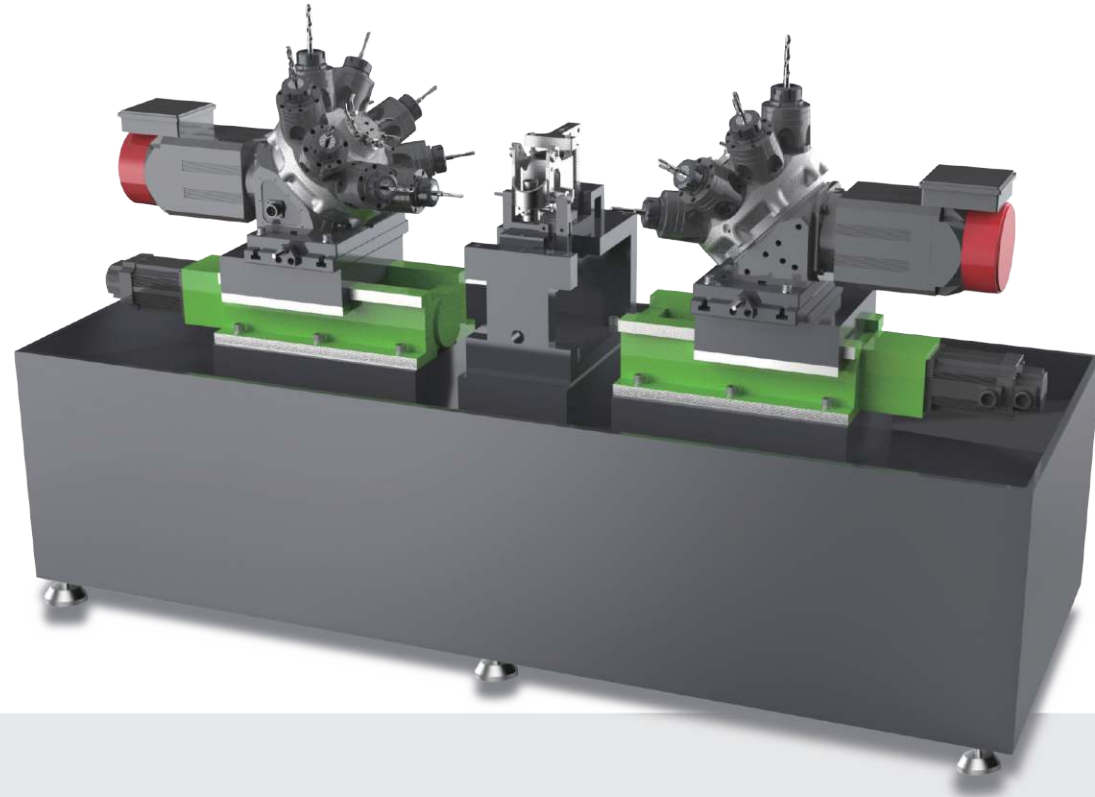


# CNC TURRET SPECIAL MACHINE

## 数控刀塔专机

(非标专用机床系列)

■ 品于匠心，卓于智控，智创未来



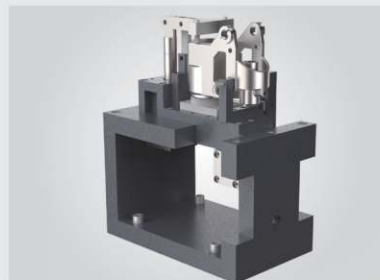
### 功能特点

- 本机一次装夹，采用卧式双面同时加工，完成钻孔、扩孔、镗孔、铰孔、倒角、攻丝等工序，提高产品加工精度和生产效率。
- 本机采用皇冠刀塔，油压锁紧，刚性强、精度高，一次可装8把刀具，换刀时间2.5秒。
- 本机采用凯恩帝双通道数控系统，两侧可独立完成不同工序加工，操作方便，功能强大。
- 本机采用自动润滑系统，无需手工操作且保证了机床稳定长久的运行。
- 本机配循环冷却系统，加工时降低刀具温度，增加润滑和排屑，提高刀具使用寿命。
- 本机适合双面都要加工的零件，可以广泛应用于汽摩配件和叉车配件等。



### Features

- This machine is clamped at one time, and it adopts horizontal double-sided simultaneous processing to complete drilling, reaming, countersinking, reaming, chamfering, Tapping and other processes to improve product processing accuracy and production efficiency.
- This machine adopts crown turret, hydraulic locking, strong rigidity and high precision, can install 8 tools at a time, and the tool change time is 2.5 seconds.
- This machine adopts Kaiendi dual-channel numerical control system, and the two sides can independently complete the processing of different processes, which is easy to operate and powerful.
- The machine adopts an automatic lubrication system, which requires no manual operation and ensures the stable and long-term operation of the machine tool.
- This machine is equipped with a circulating cooling system, which reduces the temperature of the tool during processing, increases lubrication and chip removal, and improves the service life of the tool.
- This machine is suitable for parts to be processed on both sides, and can be widely used in auto and motorcycle parts and forklift parts.

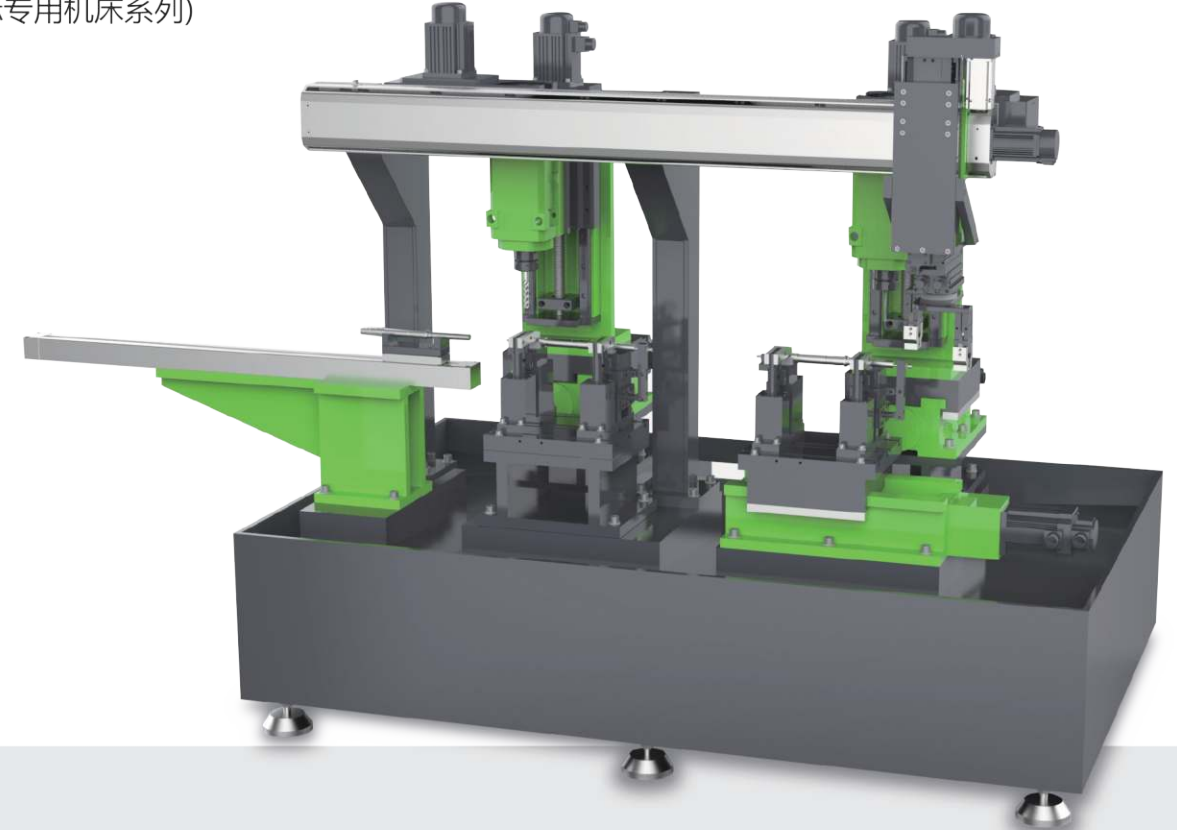


# MOTOR SHAFT TRUSS PLANE

## 电机轴桁架专机

(非标专用机床系列)

■ 品于匠心，卓于智控，智创未来



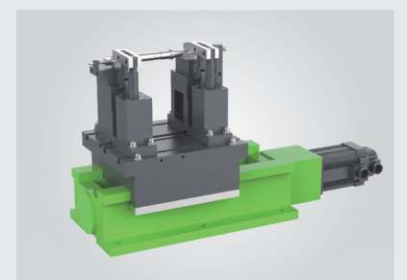
### 功能特点

- 本机采用立式双主轴同时加工，完成电机轴铣扁方和铣键槽工序，提高产品生产效率。
- 本机采用桁架机械手上料，与其它机床自动连线，实现无人化操作生产。
- 本机采用可调式油压夹具，夹紧力大，可快速切换不同产品。
- 本机采用凯恩帝双通道数控系统，两侧可独立完成不同工序加工，操作方便，功能强大。
- 本机采用自动润滑系统，无需手工操作且保证了机床稳定长久的运行。
- 本机配循环冷却系统，加工时降低刀具温度，增加润滑和排屑，提高刀具使用寿命。
- 本机适合电机轴类加工的零件，可以广泛应用于水泵电机和其他电机轴类配件。



### Features

- This machine adopts vertical double spindles for simultaneous processing, completes the process of flat square milling and keyway milling of the motor shaft, and improves the production efficiency of products.
- This machine adopts truss manipulator for loading and unloading, and is automatically connected with other machine tools to realize unmanned operation and production.
- This machine adopts adjustable hydraulic clamp with large clamping force, which can quickly switch different products.
- This machine adopts Kaiendi dual-channel numerical control system, and the two sides can independently complete the processing of different processes, which is easy to operate and powerful.
- The machine adopts an automatic lubrication system, which requires no manual operation and ensures the stable and long-term operation of the machine tool.
- This machine is equipped with a circulating cooling system, which reduces the temperature of the tool during processing, increases lubrication and chip removal, and improves the service life of the tool.
- This machine is suitable for motor shaft processing parts, and can be widely used in water pump motors and other motor shaft accessories.





# FULLY AUTOMATIC DOUBLE HEAD MILLING MACHINE

## 全自动双头铣床

(非标专用机床系列)

■ 品于匠心，卓于智控，智创未来



### 功能特点

- 本机采用卧式双主轴同时加工，数控转盘分度，可完成不同等分球笼保持架铣窗口工序。
- 本机采用桁架机械手上料，自动下料，能与其它机床自动连线，实现无人化操作生产。
- 本机采用油压夹具，夹紧力大，可通用多种型号产品。
- 本机采用PLC控制系统和触摸显示屏，两侧可独立完成加工，操作简单，性能稳定。
- 本机采用自动润滑系统，无需手工操作且保证了机床稳定长久的运行。
- 本机配循环冷却系统，加工时降低刀具温度，增加润滑和排屑，提高刀具使用寿命。
- 本机适合汽车球笼保持架加工的零件，可以通用多种型号汽车转向保持架类配件。



### Features

- This machine adopts horizontal double-spindle for simultaneous processing and numerical control turntable indexing, which can complete the milling process of different equal parts ball cage guard frame.
- This machine adopts truss manipulator for feeding, automatic unloading, and can be automatically connected with other machine tools to realize unmanned production.
- This machine adopts hydraulic clamp, which has large clamping force and can be used for various types of products.
- This machine adopts PLC control system and touch display screen, both sides can be processed independently, with simple operation and stable performance.
- The machine adopts an automatic lubrication system, which requires no manual operation and ensures the stable and long-term operation of the machine tool.
- This machine is equipped with a circulating cooling system, which reduces the temperature of the tool during processing, increases lubrication and chip removal, and improves the service life of the tool.
- This machine is suitable for the parts processed by the car cage cage, and can be used for various types of car steering cage accessories.

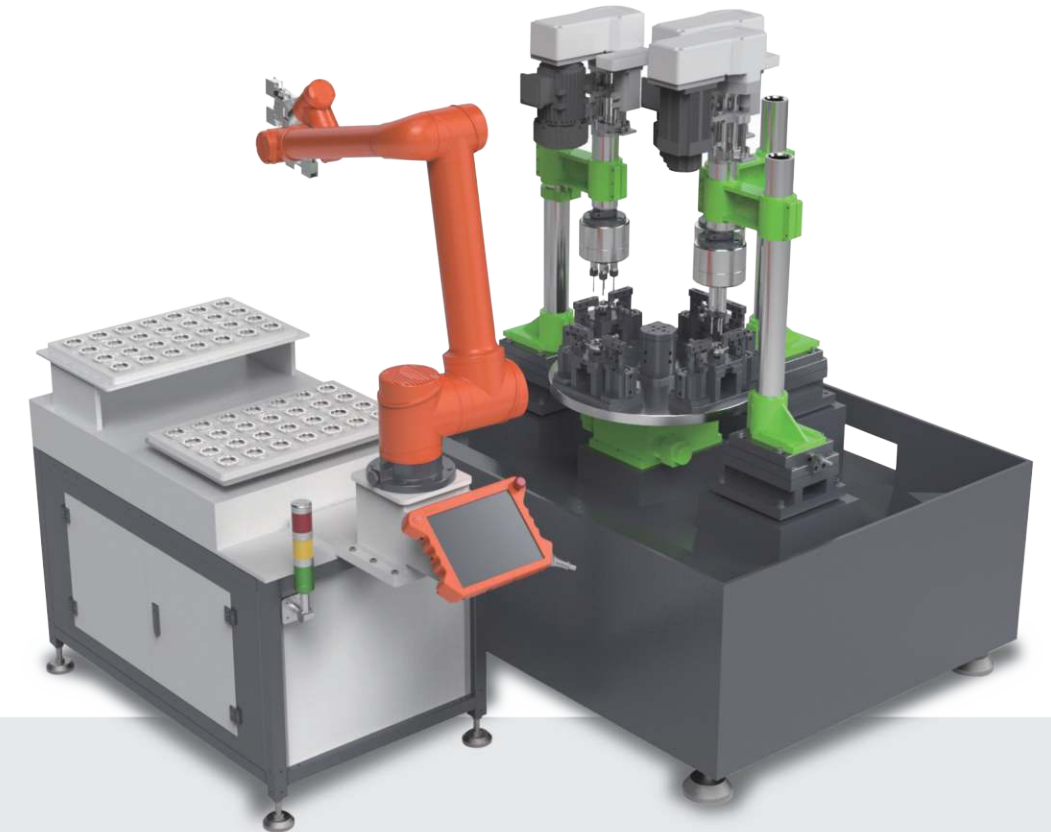


# ROBOT AUTOMATIC TURNTABLE MACHINE

## 机器人全自动转盘机

(非标专用机床系列)

■ 品于匠心，卓于智控，智创未来



### 功能特点

- 本机一次装夹，采用卧式转盘机加工，利用多轴器完成多轴钻孔、倒角和攻丝等工序，提高产品加工精度和生产效率。
- 本机采用关节机器人上下料，搭配双层料盘，实现一人管多台设备，节省人工。
- 本机采用气动夹具，伺服进给力头，性能稳定、进给参数准确。
- 本机采用PLC控制系统和触摸显示屏，操作简单，调整参数方便。
- 本机配循环冷却系统，加工时降低刀具温度，增加润滑和排屑，提高刀具使用寿命。
- 本机适合小零件加工，可以广泛应用于电动工具和园林机械等其他零配件。



### Features

- The machine is clamped at one time, and is processed by horizontal rotary table machine. The multi axis machine is used to complete multi axis drilling, chamfering, tapping and other processes, so as to improve the product processing accuracy and production efficiency.
- This machine adopts joint robot for loading and unloading, and is equipped with a double-layer feeding tray, which realizes one person can manage multiple equipments and saves labor.
- This machine adopts pneumatic clamp, servo feeding power head, stable performance and accurate feeding parameters.
- This machine adopts PLC control system and touch display screen, which is easy to operate and easy to adjust parameters.
- This machine is equipped with a circulating cooling system, which reduces the temperature of the tool during processing, increases lubrication and chip removal, and improves the service life of the tool.
- This machine is suitable for processing small parts and can be widely used in electric tools, garden machinery and other spare parts.



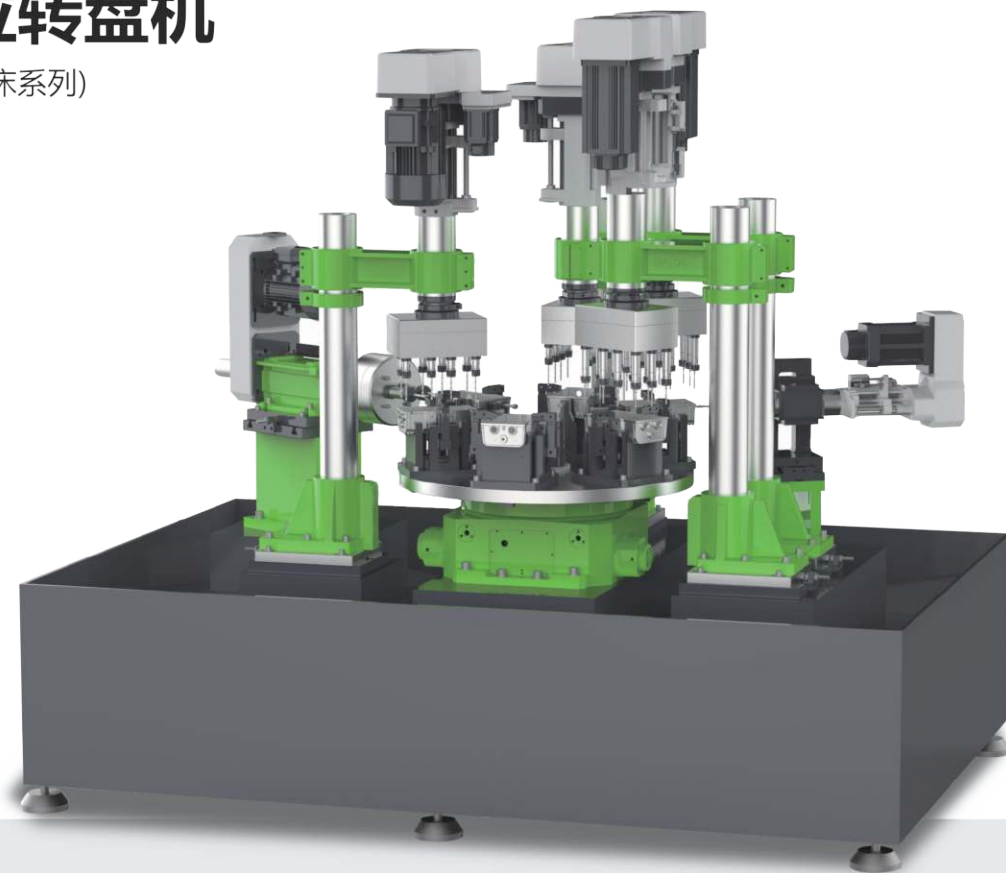


# MULTI-STATION TURNTABLE MACHINE

## 多工位转盘机

(非标专用机床系列)

■ 品于匠心，卓于智控，智创未来

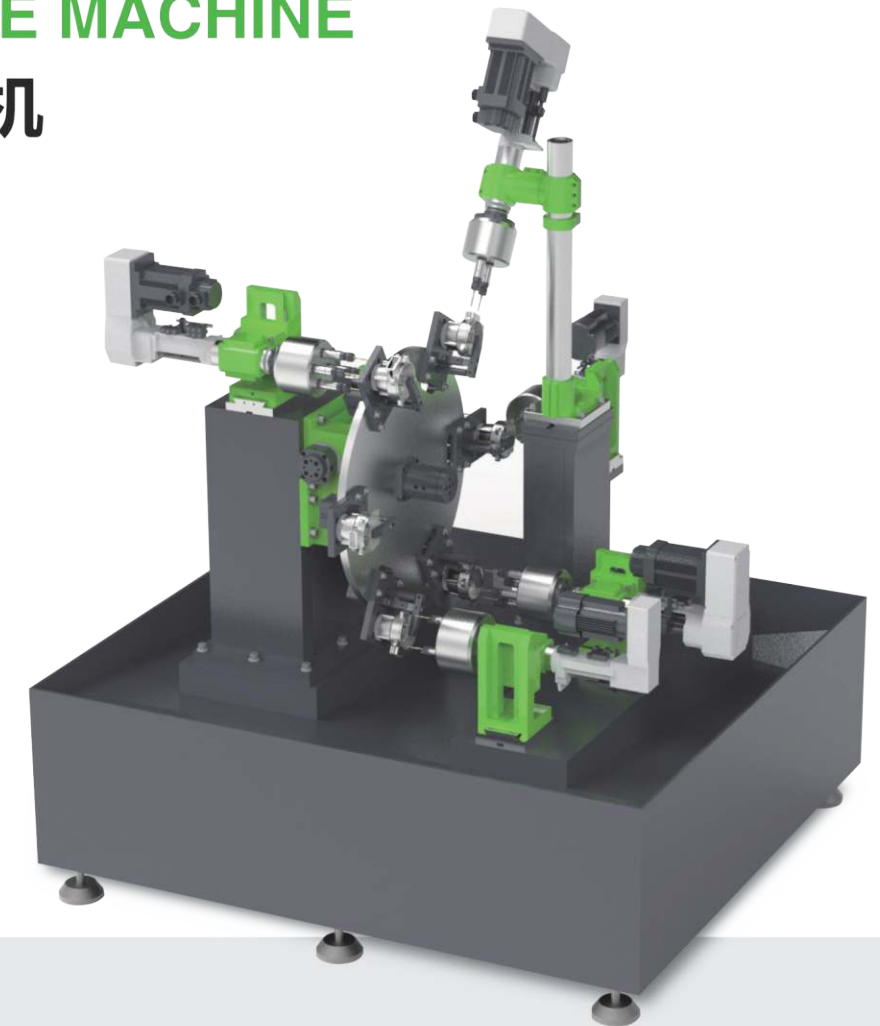


# WATERWHEEL TURNTABLE MACHINE

## 水车式转盘机

(非标专用机床系列)

■ 品于匠心，卓于智控，智创未来



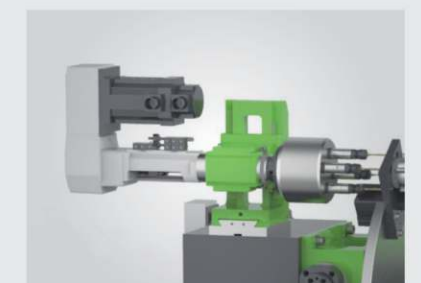
### 功能特点

- 本机一次装夹，采用卧式转盘机加工，利用多轴器完成二个面多轴钻孔、倒角和攻丝等工序，提高产品加工精度和生产效率。
- 本机采用油压转盘分度，等分精准，刚性强、承载力大。
- 本机采用气动夹具，伺服进给力头，性能稳定、进给参数准确。
- 本机采用PLC控制系统和触摸显示屏，操作简单，调整参数方便。
- 本机配循环冷却系统，加工时降低刀具温度，增加润滑和排屑，提高刀具使用寿命。
- 本机适合多孔位和多工序加工，可以广泛应用于电动工具和园林机械类等其他零配件。



### 功能特点

- 本机一次装夹，采用立式转盘机加工，利用多轴器完成三个面多轴钻孔、倒角、攻丝等工序，提高产品加工精度和生产效率。
- 本机采用油压转盘分度，等份精准，刚性强、承载力大。
- 本机采用气动夹具，伺服进给力头，性能稳定、进给参数准确。
- 本机采用PLC控制系统和触摸显示屏，操作简单，调整参数方便。
- 本机配循环冷却系统，加工时降低刀具温度，增加润滑和排屑，提高刀具使用寿命。
- 本机适合三个面多工序加工，可以广泛应用于清洗机泵壳和园林机械类等其他零配件。



### Features

- This machine is clamped at one time and processed by horizontal turntable. Processes such as chamfering and tapping improve product processing accuracy and production efficiency.
- The machine adopts oil pressure rotary table indexing, which is accurate, rigid and has large bearing capacity.
- This machine adopts pneumatic clamp, servo feeding power head, stable performance and accurate feeding parameters.
- This machine adopts PLC control system and touch display screen, which is easy to operate and easy to adjust parameters.
- This machine is equipped with a circulating cooling system, which reduces the temperature of the tool during processing, increases lubrication and chip removal, and improves the service life of the tool.
- This machine is suitable for multi hole and multi process processing, and can be widely used in electric tools, garden machinery and other accessories.



### Features

- This machine is clamped at one time, processed by vertical turntable, and completes three-sided multi-axis drilling, chamfering, Tapping and other processes to improve product processing accuracy and production efficiency.
- This machine adopts the hydraulic rotary table indexing, the equal parts are accurate, the rigidity is strong, and the bearing capacity is large.
- This machine adopts pneumatic clamp, servo feeding power head, stable performance and accurate feeding parameters.
- This machine adopts PLC control system and touch display screen, which is easy to operate and easy to adjust parameters.
- This machine is equipped with a circulating cooling system, which reduces the temperature of the tool during processing, increases lubrication and chip removal, and improves the service life of the tool.
- This machine is suitable for three surface multi process processing, and can be widely used in other spare parts such as cleaning machine pump shell and garden machinery.





# DRILLING AND TAPPING MACHINE

## 三钻三攻滑台机

(非标专用机床系列)

■ 品于匠心，卓于智控，智创未来

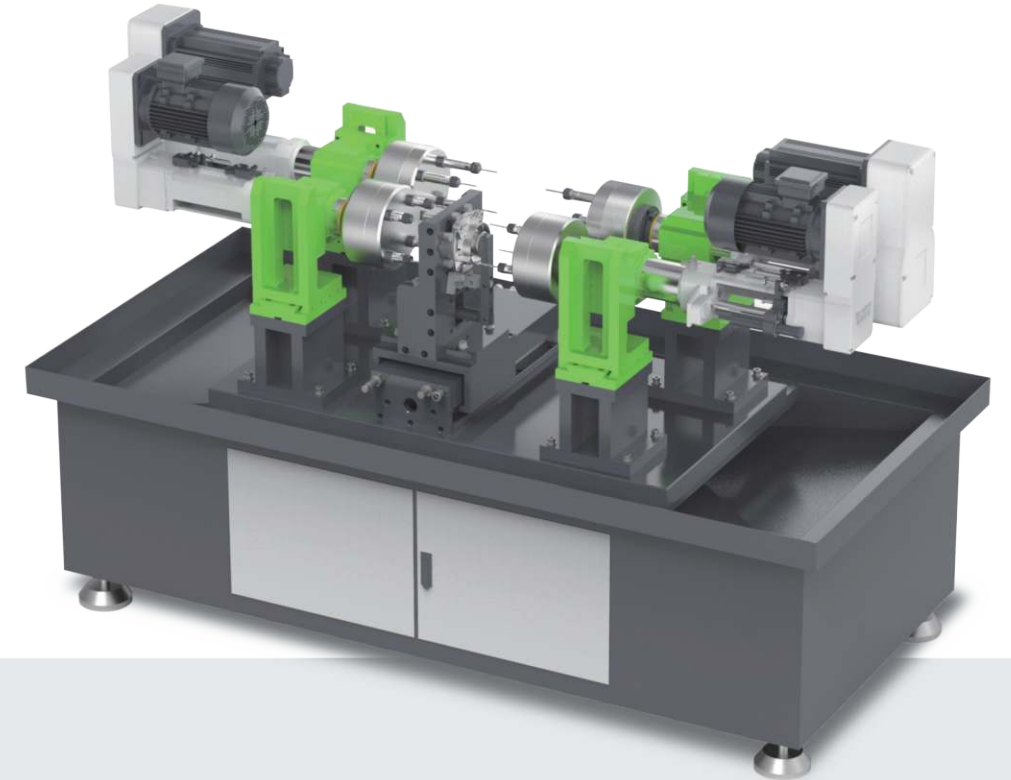


# TWO-DRILLING AND TWO-TAPPING SLIDING TABLE MACHINE

## 两钻两攻滑台机

(非标专用机床系列)

■ 品于匠心，卓于智控，智创未来



### 功能特点

- 本机一次装夹，采用滑台移动加工，利用多轴器完成三个面多轴钻孔和攻丝工序，提高产品加工精度和生产效率。
- 本机采用气动滑台或伺服滑台移动夹具，推力大、定位准确、稳定。
- 本机采用气动夹具，可互换夹具，通用其它产品。
- 本机采用PLC控制系统和触摸显示屏，操作简单，调整参数方便。
- 本机配循环冷却系统，加工时降低刀具温度，增加润滑和排屑，提高刀具使用寿命。
- 本机适合三个面同时加工，可以广泛应用于电机筒和RV减速箱等其它零配件。



### Features

- This machine is clamped at one time, using the sliding table to move the processing, and using the multi-axis device to complete the three-sided multi-axis drilling and tapping processes. Improve product processing accuracy and production efficiency.
- This machine adopts pneumatic sliding table or servo sliding table moving fixture, which has large thrust, accurate positioning and stability.
- This machine adopts pneumatic clamps, interchangeable clamps, common to other products.
- This machine adopts PLC control system and touch display screen, which is easy to operate and easy to adjust parameters.
- This machine is equipped with a circulating cooling system, which reduces the temperature of the tool during processing, increases lubrication and chip removal, and improves the service life of the tool.
- This machine is suitable for simultaneous processing of three surfaces, and can be widely used in motor barrel, RV reducer and other spare parts.



### 功能特点

- 本机一次装夹，采用滑台移动加工，利用多轴器完成双面多轴钻孔和攻丝工序，提高产品加工精度和生产效率。
- 本机采用气动滑台或伺服滑台移动夹具，推力大、定位准确、稳定。
- 本机采用气动夹具，可互换夹具，通用其它产品。
- 本机采用PLC控制系统和触摸显示屏，操作简单，调整参数方便。
- 本机配循环冷却系统，加工时降低刀具温度，增加润滑和排屑，提高刀具使用寿命。
- 本机适合双面同时加工，可以广泛应用于电机端盖和园林机械等其他零配件。



### Features

- This machine is clamped at one time, and the sliding table is used for moving processing, and the multi-axis machine is used to complete the double-sided multi-axis drilling and tapping processes. Improve product processing accuracy and production efficiency.
- This machine adopts pneumatic sliding table or servo sliding table moving fixture, which has large thrust, accurate positioning and stability.
- This machine adopts pneumatic clamps, interchangeable clamps, common to other products.
- This machine adopts PLC control system and touch display screen, which is easy to operate and easy to adjust parameters.
- This machine is equipped with a circulating cooling system, which reduces the temperature of the tool during processing, increases lubrication and chip removal, and improves the service life of the tool.
- This machine is suitable for double side simultaneous processing, and can be widely used in motor end caps, garden machinery and other spare parts.





# ONE DRILL AND ONE ATTACK SLIDE TABLE MACHINE

## 一钻一攻滑台机

(非标专用机床系列)

■ 品于匠心，卓于智控，智创未来

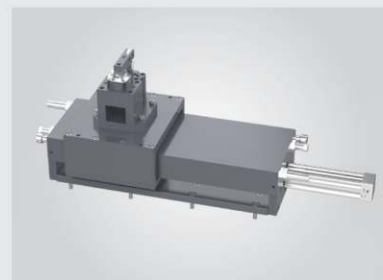


### 功能特点

- 本机一次装夹，采用滑台移动加工，利用多轴器完成多轴钻孔和攻丝工序，结构紧凑，操作方便。
- 本机采用气动滑台或伺服滑台移动夹具，推力大、定位准确、稳定。
- 本机采用气动夹具，可互换夹具，通用其它产品。
- 本机采用PLC控制系统和触摸显示屏，操作简单，调整参数方便。
- 本机配循环冷却系统，加工时降低刀具温度，增加润滑和排屑，提高刀具使用寿命。
- 本机适合单面加工，可以广泛应用于气动工具和园林机械等其他零配件。

### Features

- This machine is clamped at one time, using the sliding table to move the processing, and using the multi-axis device to complete the multi-axis drilling and tapping process. Compact structure, easy to operate
- This machine adopts pneumatic sliding table or servo sliding table moving fixture, which has large thrust, accurate positioning and stability.
- This machine adopts pneumatic clamps, interchangeable clamps, common to other products.
- This machine adopts PLC control system and touch display screen, which is easy to operate and easy to adjust parameters.
- This machine is equipped with a circulating cooling system, which reduces the temperature of the tool during processing, increases lubrication and chip removal, and improves the service life of the tool.
- This machine is suitable for single-sided processing, and can be widely used in pneumatic tools, garden machinery and other spare parts.



# HYDRAULIC AUTOMATIC DRILLING MACHINE

## 油压自动钻床

(非标专用机床系列)

■ 品于匠心，卓于智控，智创未来



### 功能特点

- 本机采用油压力头，配大功率液压泵站和高精度液压调速阀，钻削时使动力更加强健和平稳，适合大孔类钻削加工。
- 本机采用重型多轴器连体钻模导向板加工，钻孔尺寸准确、稳定。
- 本机采用油压夹具，夹紧力大，可通用其它产品。
- 本机采用PLC控制系统和触摸显示屏，操作简单，调整参数方便。
- 本机配循环冷却系统，加工时降低刀具温度，增加润滑和排屑，提高刀具使用寿命。
- 本机适合单面加工，可以广泛应用于空调配件和汽车配件。

### Features

- This machine adopts hydraulic power head, equipped with high-power hydraulic pump station and high-precision hydraulic speed regulating valve. When drilling, the power is stronger and more stable, which is suitable for drilling large holes.
- This machine adopts heavy-duty multi-axis conjoined drill guide plate for processing, and the drilling size is accurate and stable.
- This machine adopts hydraulic clamp, which has large clamping force and can be used with other products.
- This machine is suitable for parts that need to be processed on both sides, and can be widely used in air friction accessories and motor casings.
- This machine is equipped with a circulating cooling system, which reduces the temperature of the tool during processing, increases lubrication and chip removal, and improves the service life of the tool.
- This machine is suitable for single-sided processing and can be widely used in air-conditioning parts and auto parts.



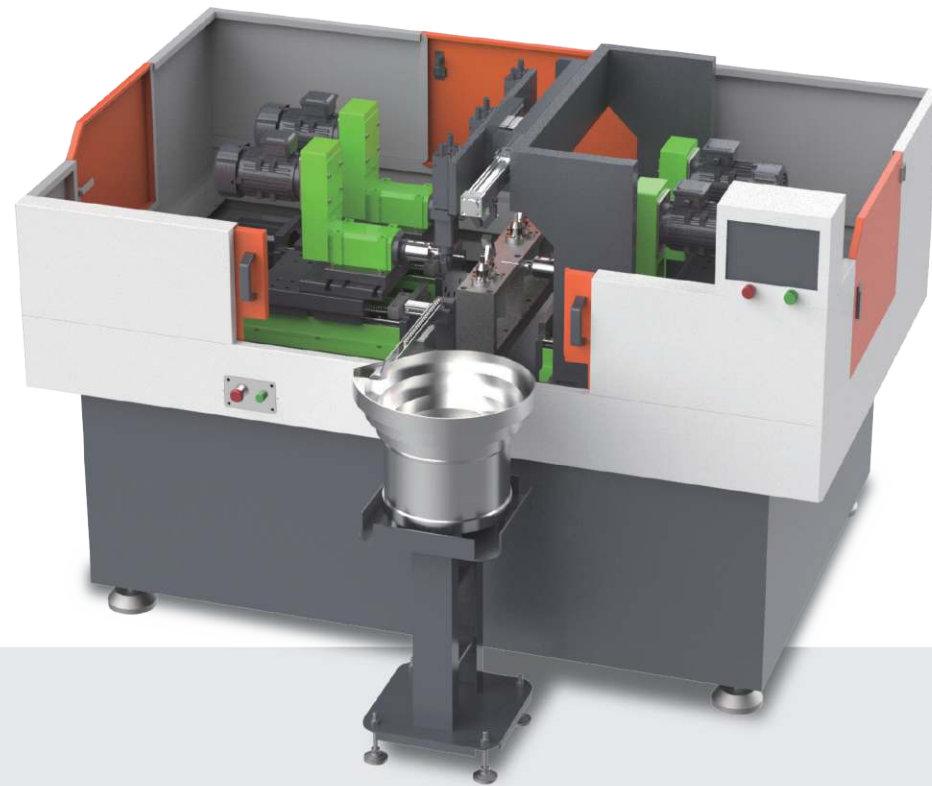


# FULLY AUTOMATIC SPECIAL MACHINE FOR VIBRATING PLATE

## 振动盘全自动专机

(非标专用机床系列)

■ 品于匠心，卓于智控，智创未来

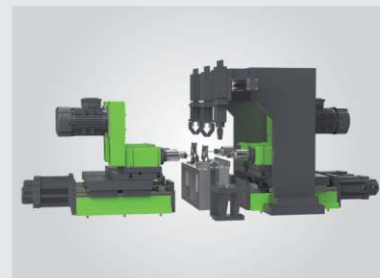


### 功能特点

- 本机采用震动盘全自动上下料，搭配三个机械爪自动抓取物料，进行引孔、钻孔工序加工，提高产品加工精度和生产效率，实现无人化操作生产。
- 本机采用精密镗铣动力头搭配数控滑台加工，加工产品刚性好，深度尺寸控制精准。
- 本机采用油压夹具，夹紧力大，压力稳定。
- 本机采用PLC控制系统和触摸显示屏，操作简单，调整参数方便。
- 本机配循环冷却系统，加工时降低刀具温度，增加润滑和排屑，提高刀具使用寿命。
- 本机适合双面加工，可以广泛应用于各种轴类配件。

### Features

- This machine adopts the automatic loading and unloading of the vibrating plate, and is equipped with three mechanical claws to automatically grab the material, carry out the drilling and drilling process processing, improve the processing accuracy and production efficiency of the product, and realize unmanned operation and production.
- This machine adopts precision boring and milling power head and CNC sliding table processing, the processed products have good rigidity and precise control of depth and size.
- This machine adopts hydraulic clamp, which has large clamping force and stable pressure.
- This machine adopts PLC control system and touch display screen, which is easy to operate and easy to adjust parameters.
- This machine is equipped with a circulating cooling system, which reduces the temperature of the tool during processing, increases lubrication and chip removal, and improves the service life of the tool.
- This machine is suitable for double-sided processing and can be widely used in various shaft accessories.



# CNC DEBURRING MACHINE

## 数控去毛刺机

(非标专用机床系列)

■ 品于匠心，卓于智控，智创未来



### 技术参数

型号	SP-SK1	SP-SK2
电压	三相380V	三相380V
功率	5.5KW	5.5KW
电主轴 (四轴承)	水冷220V 2.2KW 转速5000-18000转(可调)	水冷220V 2.2KW 转速5000-18000转(可调)
X轴行程 (1.0KW伺服电机)	X向行程400mm	X向行程600mm
Y轴行程 (1.0KW伺服电机)	Y向行程300mm	Y向行程400mm
Z轴行程 (1.0KW伺服抱闸电机)	Z向行程200mm	Z向行程300mm
第四轴旋转轴 (1.0KW伺服电机)	第四轴旋转轴(选配)	第四轴旋转轴(选配)
主轴刀具吹气装置	单轴吹气	单轴吹气
主轴刀具冷却系统	选配	选配
控制系统	标配达风三轴控制系统 (四轴系统选配)	标配达风三轴控制系统 (四轴系统选配)
钣金规格	标配半封闭钣金/全封闭钣金选配	标配半封闭钣金/全封闭钣金选配
整机尺寸	1400mm*1500mm*2000mm/1600mm*1500mm*2000mm	1650mm*1600mm*2200mm/1600mm*1500mm*2200mm

